



QUALITY... PLAIN & SIMPLE®

Holley Sniper Dual Plenum Throttle Cable System Installation Instructions

General Installation Notes:

Please read these instructions completely before beginning the installation. If you have any questions please call.

Before beginning the installation, disconnect the negative battery cable and use wheel chocks to block the vehicle's wheels. Do not attempt to install or adjust the throttle cable while the engine is running.

Make sure the engine, transmission, body and frame are properly grounded. We recommend using anti-seize lubricant on any aluminum threads.

NOTE: The Lokar Throttle Cable System is designed to be installed with a Lokar Throttle Pedal. The Lokar Throttle Cables are designed to be cut-to-fit.

See Fig. 1 and Fig. 2 for the names of the components.

Step 1: Loosely assemble the throttle cable brackets to the throttle bracket bases, using the provided #10-32 x 3/8" socket head bolts. The throttle cable brackets should be installed on the opposite side of the throttle bracket bases from the pre-installed o-rings. **Fig. 3**

Step 2: Remove the throttle bodies from the plenums if they have already been installed. You may discard the original throttle body mounting bolts. Longer bolts are provided in this kit.

Step 3: Make sure that the throttle body mounting surfaces are clean.

Step 4: Make sure the original throttle body o-rings are still in place on the plenum, and that the pre-installed o-rings are still on the throttle bracket bases. Install the throttle bracket bases and throttle bodies onto the plenums using the provided M6-1.0 x 30mm socket head bolts, with the throttle cable brackets pointing towards the rear of the engine. Make sure that the edge of the throttle cable bracket doesn't get caught under the throttle body. Tighten the throttle body mounting bolts using a 5mm Allen wrench.

Use a 5/32" Allen wrench to tighten the socket head bolts holding the throttle cable brackets to the throttle bodies.

Fig. 4

Holley Sniper Dual Plenum Throttle Cable System Installation Instructions

Building American Quality... With A Lifetime Warranty!®

TOLL FREE 1-877-469-7440 • tech@lokar.com • www.lokar.com

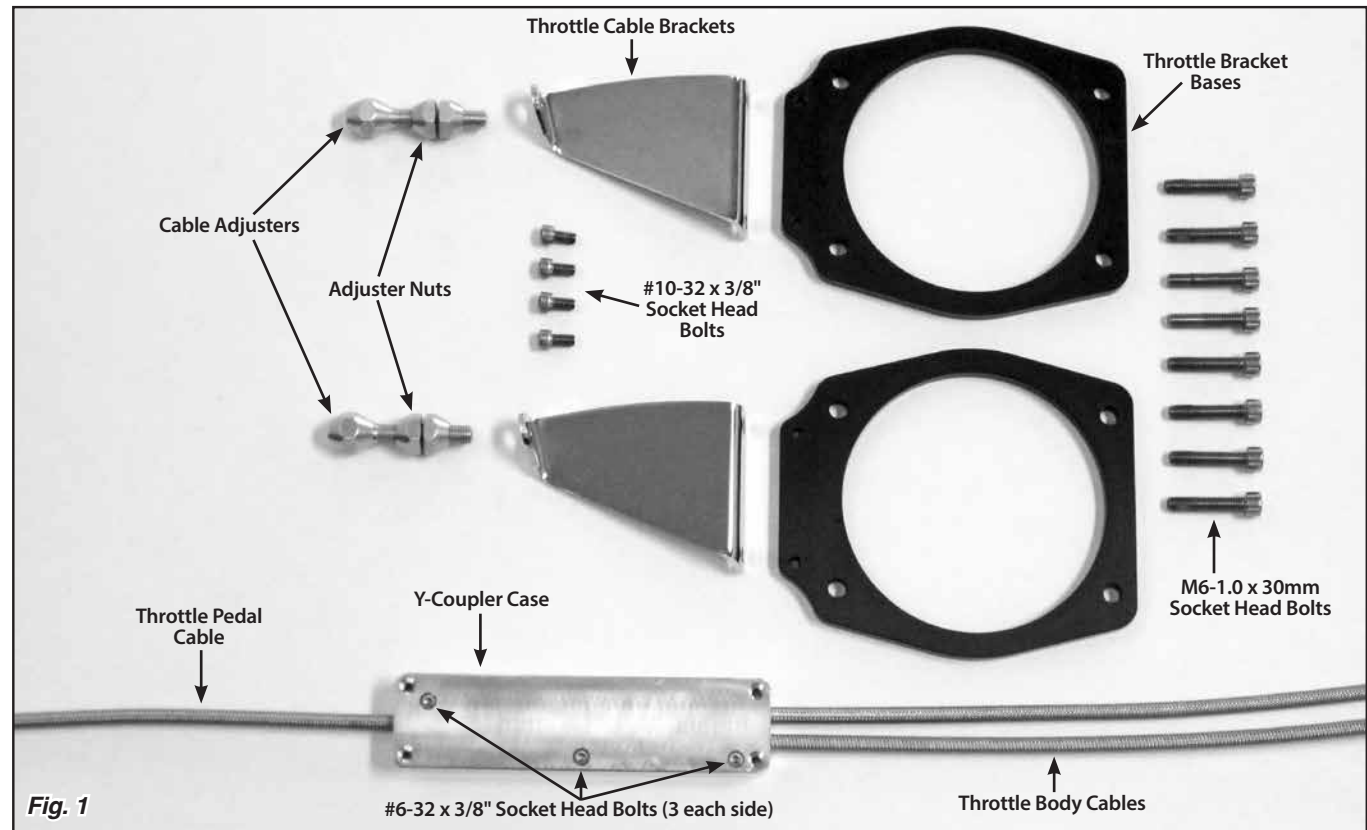


Fig. 1

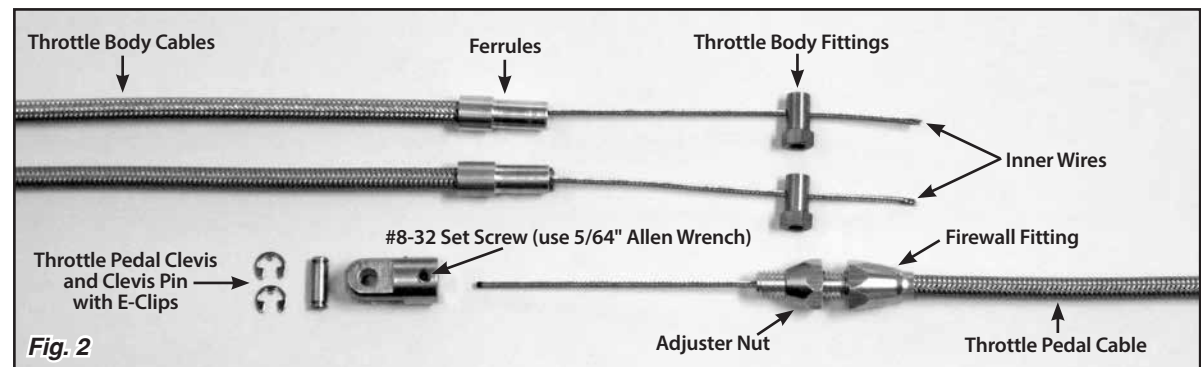
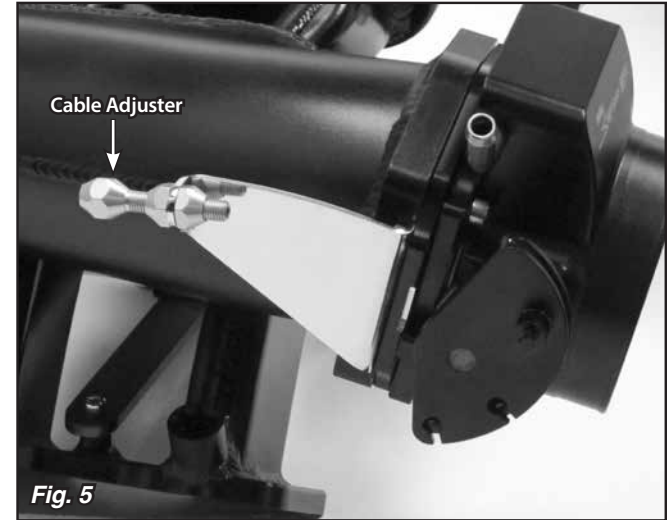
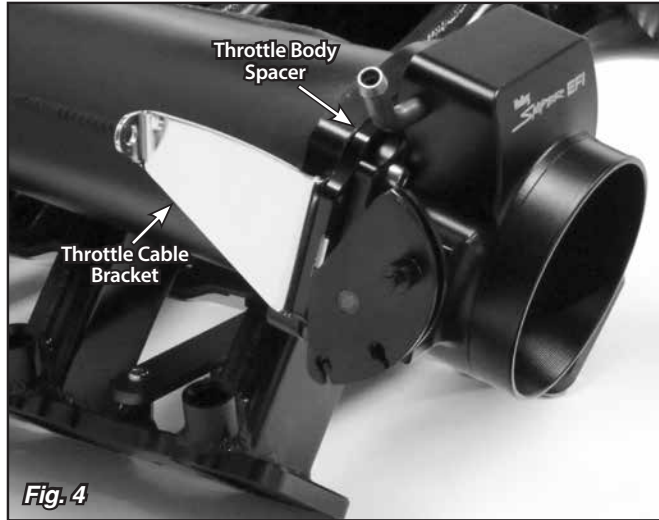
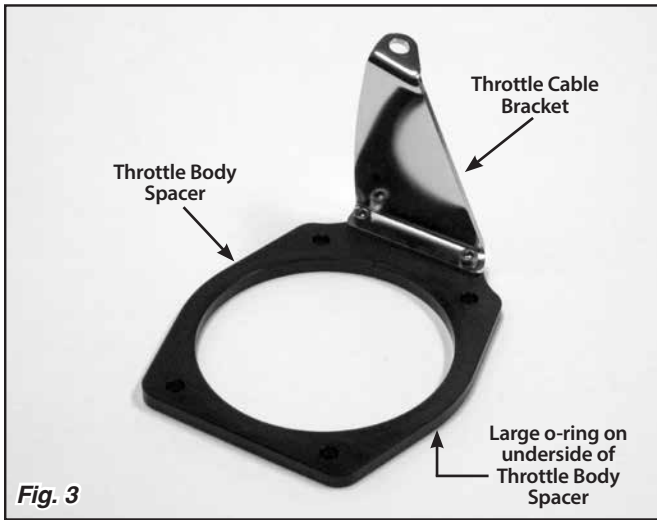


Fig. 2

Holley Sniper Dual Plenum Throttle Cable System Installation Instructions



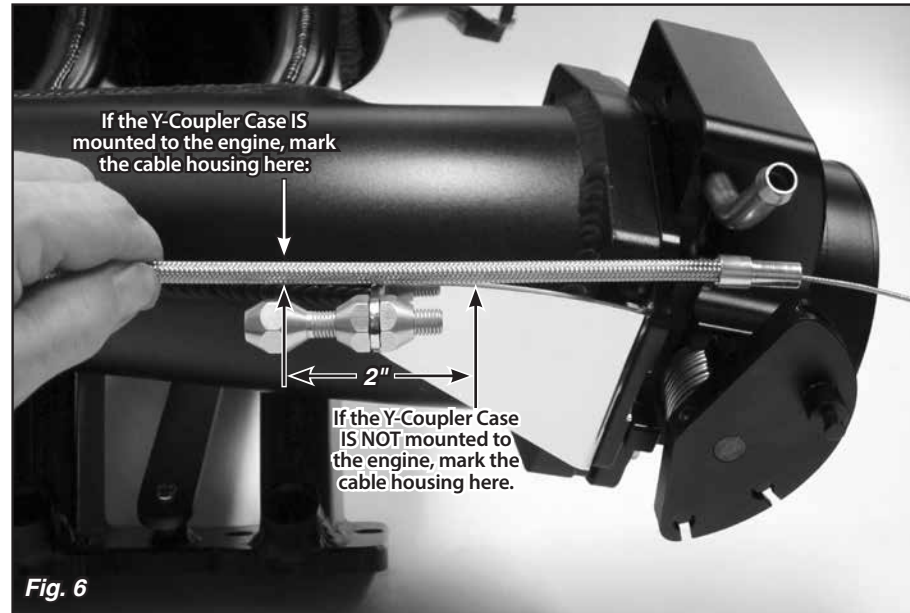
Step 5: Remove the throttle body fittings and the cable adjuster assemblies from the ends of the new throttle body cables. **DO NOT REMOVE** the ferrules if the cable housings are braided stainless steel! Remove the ferrules if the cable housings are black universal.

Step 6: Remove the front adjuster nut from each of the cable adjusters. Insert the cable adjusters into the throttle cable brackets. Then, position the rear adjuster nuts so that the threaded part of the cable adjusters are approximately centered in the throttle cable brackets. Reinstall the front adjuster nuts. **Fig. 5**

Step 7: Determine where you are going to mount the Y-coupler case assembly. It may be mounted to the firewall or to a custom bracket (not supplied) on the intake manifold or elsewhere.

Loosely mount the Y-coupler case assembly in place.

Step 8: Route the throttle body cables up to the cable adjusters. If the Y-coupler case is mounted on the engine itself, mark both of the throttle body cable housings where they bottom out in the cable adjusters. If the Y-coupler case is **NOT** mounted on the engine itself, mark the throttle body cable housings 2" beyond the cable adjusters. **NOTE:** If the Y-coupler case is not mounted on the engine, the cable housings must **NOT** be straight between the Y-coupler case and the cable adjuster. There must be some slack to allow for engine movement. **Fig. 6**

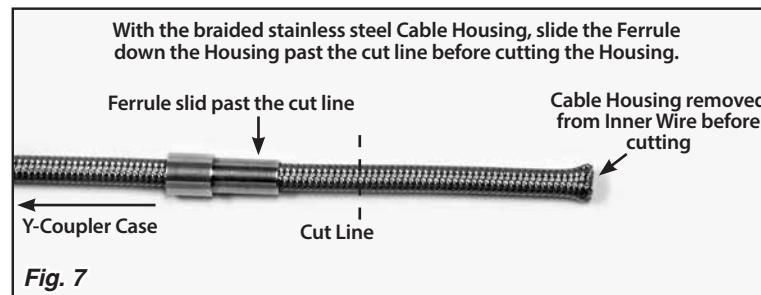


Step 9: Label each of the cable housings as to which side they go to. Remove the Y-coupler case assembly from its mounting point. Using a 5/64" Allen wrench, loosen the six #6-32 x 3/8" socket head bolts in the Y-coupler case assembly enough to be able to pull out the throttle body cable housings.

Step 10: Remove the throttle body cable housings from the Y-coupler case assembly and slide them off of the inner wires. **Make sure that the cable housings are completely removed from the inner wires!**

If the cable housings are braided stainless steel, slide the ferrules up the housing towards the Y-coupler case, away from the end that is being cut. **Fig. 7**

DO NOT REMOVE the ferrule from a braided stainless steel housing!



Holley Sniper Dual Plenum Throttle Cable System Installation Instructions

- Step 11:** If the throttle body cables have the braided stainless steel housings, wrap tape around the cable housings at your marks and use a cutoff wheel or fine-toothed hacksaw to cut the cable housings. If the throttle body cables have the black universal housings, cut the cable housings at your marks with heavy duty 8" diagonal cutting pliers or a hacksaw. We recommend Klein brand Diagonal Cutting Pliers, # D2000-28 available at The Home Depot or through W. W. Graingers, part # 4A838.
- Step 12:** If the Lokar Throttle Pedal has not already been installed, install the Lokar Throttle Pedal now, following the instructions that are provided with the Throttle Pedal.
- Step 13:** The throttle cable hole in the firewall must line up with the hole at the top of the upper arm on the Throttle Pedal. Determine exactly where the throttle pedal cable needs to pass through the firewall and drill a 5/16" hole.
- Step 14:** Pull the throttle pedal cable housing out of the Y-coupler case. Remove the throttle pedal cable housing from the inner wire.
- Step 15:** On the pedal end of the cable housing, remove the adjuster nut from the firewall fitting. Insert the firewall fitting through the firewall from the engine side, and reinstall the adjuster nut. **Fig. 8**

NOTE: The firewall fitting **MUST** point directly at the hole in the top of the upper arm of the throttle pedal, so that the inner wire does not rub excessively against the inside of the firewall fitting. Some Lokar Throttle Pedals for specific applications come with offset washers. If your Throttle Pedal came with offset washers, they will usually be required in order to get the firewall fitting aligned with the hole in the throttle pedal on a stock firewall. Place one offset washer onto the firewall fitting (with the slanted side towards the firewall) before inserting the firewall fitting into the firewall. After the firewall fitting is inserted into the firewall, install the other offset washer (with the slanted side towards the firewall) and the adjuster nut on the passenger compartment side of the firewall fitting. Rotate the offset washers opposite one another until the firewall fitting is pointed directly at the top of the upper arm on the pedal. Then, tighten the adjuster nut.

- Step 16:** Route the throttle pedal cable housing up to the end of the Y-coupler case, and mark the cable housing where it meets the end of the Y-coupler case.

If the Y-coupler case is **NOT** mounted on the engine itself, make a second mark on the throttle pedal cable housing 3/4" further away from the firewall. If the Y-coupler case **IS** mounted on the engine itself, make a second mark on the throttle pedal cable housing 2-3/4" further away from the firewall.

- NOTE:** If the Y-coupler case is mounted on the engine, the cable housing must **NOT** be straight between the firewall and the Y-coupler case. There must be some slack to allow for engine movement.

- Step 17:** **Make sure that the cable housing is completely removed from the inner wire.** If the throttle pedal cable has the braided stainless steel housing, wrap tape around the cable housing at your mark and use a cutoff wheel or fine-toothed hacksaw to cut the cable housing. If the throttle pedal cable has the black universal housing, cut the cable housing at your mark with heavy duty 8" diagonal cutting pliers or a hacksaw.

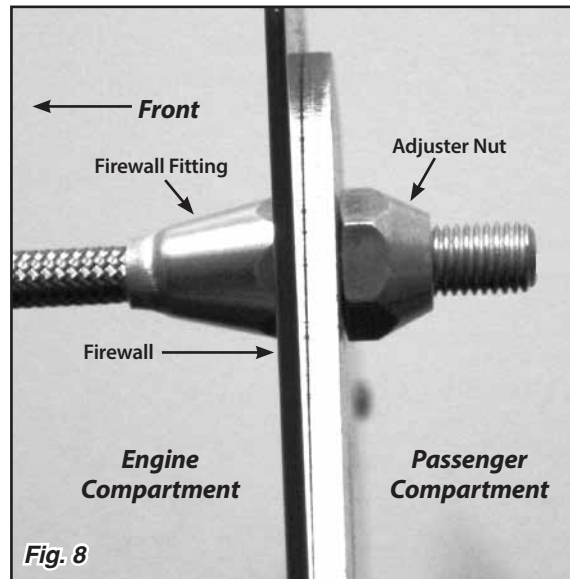


Fig. 8

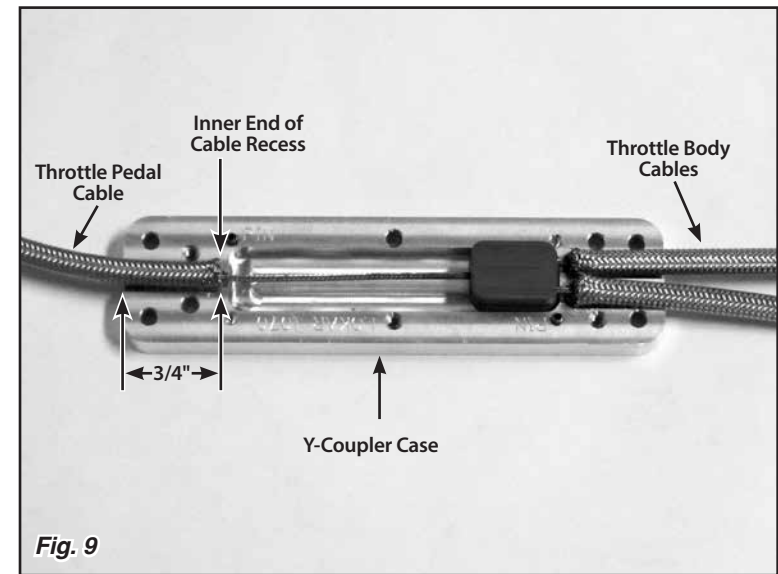


Fig. 9

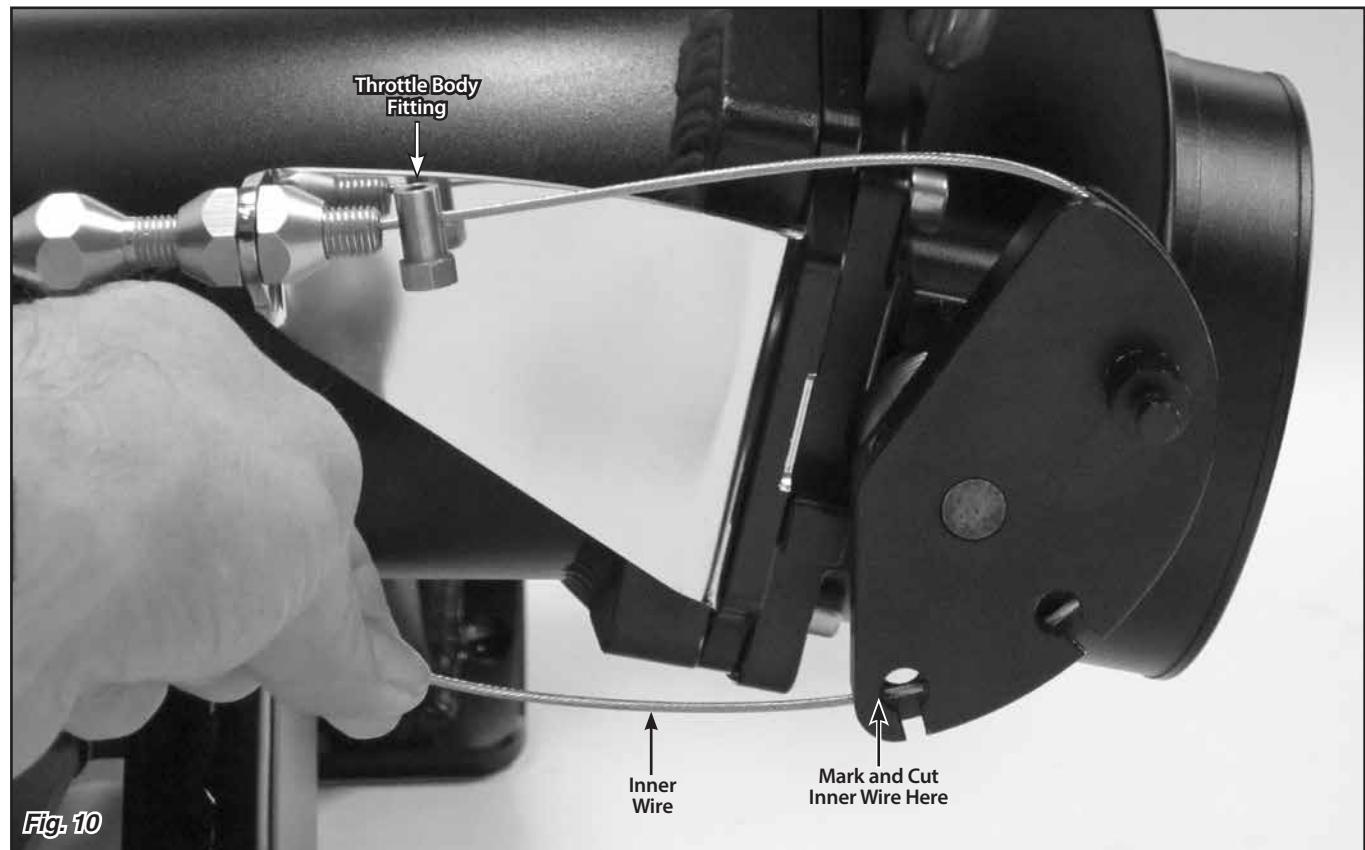


Fig. 10

Holley Sniper Dual Plenum Throttle Cable System Installation Instructions

Step 18: Disassemble the Y-coupler case by removing the six already-loosened #6-32 x 3/8" socket head bolts. Slide all three cable housings onto their respective inner wires. Position each cable housing so that the end of the cable housing is butted up against the inner end of the cable groove in the Y-coupler case. **Fig. 9** Reassemble the Y-coupler case with the flat head bolts, using a 5/64" Allen wrench.

Pull each of the inner wires through its full range of travel to make sure nothing is binding.

Step 19: Mount the Y-coupler case assembly in place. Put the ferrules on both of the throttle body cable housings back into place. Thread the throttle body cable inner wires through the cable adjusters, and insert the throttle body cable housings into the cable adjusters.

Step 20: Loosen the #8-32 x 3/16" set screw in one of the throttle body fittings using a 5/64" Allen wrench. Insert the end of the inner wire into the throttle body fitting, and slide the throttle body fitting all the way to the cable adjuster. Pull on the inner wire until it bottoms out inside the Y-coupler case.

Lay the cable in the groove on the throttle body pulley. While pulling the inner wire tight, mark the inner wire where it lines up with the furthest edge of the hole in the pulley where the fitting goes. **Fig. 10**

Step 21: Use a sharp pair of wire cutters to cut the inner wire at that mark. Slide the throttle body fitting to the end of the inner wire until the end of the inner wire is flush with the throttle body fitting. Tighten the set screw against the inner wire using a 5/64" Allen wrench. Rotate the throttle pulley back and insert the throttle body fitting and inner wire into place on the throttle body.

Step 22: Repeat **Step 20 & Step 21** for the second throttle body.

Step 23: Inside the passenger compartment, install the throttle pedal clevis and clevis pin with the E-clips onto the throttle pedal. Pull all of the slack out of the throttle pedal cable inner wire. Hold the throttle pedal clevis in the horizontal position and hold the throttle pedal cable inner wire up next to the clevis. Mark the inner wire where it lines up with the end of the clevis that is closest to the firewall. **Fig. 11**

Measure 3/8" further towards the drivers seat on the inner wire, and cut the inner wire there with a sharp pair of wire cutters.

Step 24: Thread the end of the inner wire into the clevis. Pull all of the slack out of the inner wire, and tighten the #8-32 x 3/16" set screw in the clevis using a 5/64" Allen wrench. **Fig. 12**

Step 25: Check for proper operation of the throttle and adjust as necessary. Make sure there is no binding in the throttle linkage and that the throttle returns to the closed position when the pedal is released.

NOTE: Once the Throttle Cable is installed, make sure that the Throttle Pedal is completely floored when the throttle is wide open. If the Throttle Pedal is not completely floored at wide open throttle, you will need to either adjust the pedal itself or install a pedal stop.

